

# Cargo

The professional box for the construction industry.

**Cargo** is made of high-strength plastic that guarantees robustness and durability under the normal conditions of construction sites such as impacts, falls, abrasions and exposure to atmospheric agents.



The galvanised steel frame and handles allow it to be lifted and transported with minimum effort.

The specific conformation of the handles ensures an easy grip by the operator and correct attachment to cranes, hoists, pulleys, etc.

- Low weight
- Easy to handle
- Resistant to shocks, scratching, falls
- Level indicators every 25 litres
- Easy to clean and maintain
- Greater flexibility of use compared to metal boxes

# Cargo

The professional box for the construction industry. Ideal for:



## Small construction sites

In renovation projects, where the spaces are limited, **Cargo** shows how it is easy to use: on the ground, on scaffolding, inside buildings **Cargo** is for the worker the ideal tool ideal for transporting everything.



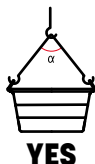
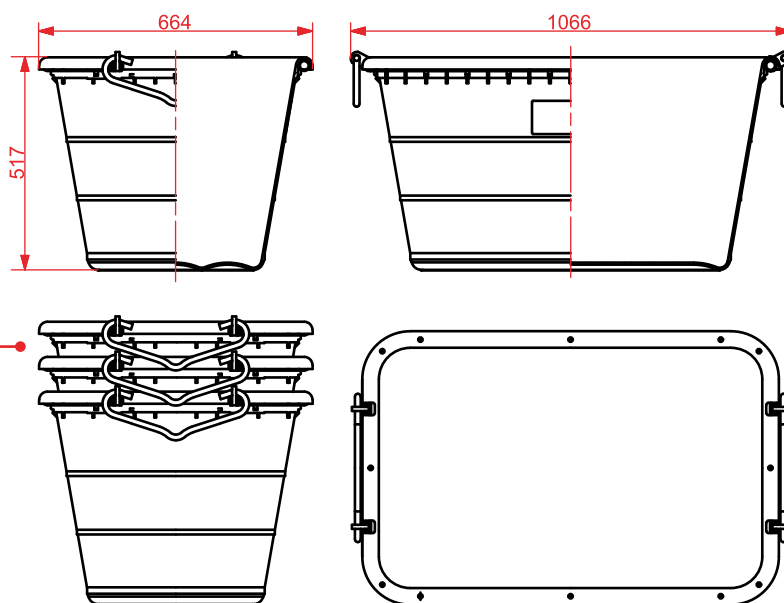
## Major construction sites

In the construction of large buildings and infrastructure, where there are extensive spaces **Cargo** is an essential tool to rationalise the movement of materials by the works.

It allows, in a medium to large construction site, quickly, efficiently and safely the movement of any material.

### Caratteristiche tecniche:

- **Capacity:** Max l. 200
- **Load capacity:** Max kg 395
- **Dimensions:**  
cm. 106,6 x 66,4 x 51,7
- **Weight:** kg 14
- **Stacking dimensions:**  
N. 38 Cargo  
for 2 m high
- **Colours:** yellow, blue
- **Customisation:**  
on request, with logo  
and customer colours.



A.T.I. S.p.A.

Applicazione Tecnologie ad Iniezione

Italy - 36050 Montorso Vic.no (VI), Via Kennedy 8

P.Iva 01274900248 - Tel. +39 0444 475555 - [www.atispa.it](http://www.atispa.it)



INJECTION  
MOULDING SYSTEMS